

University of Southern California

AME101 - Fall 2017

Graphics Lab Homework Assignment #3

November 2, 2017

Due Date: **Friday, November 10, 2017 at 4:00PM**

- 1) Soft Copy: Submit a compressed folder (zipped) of your SolidWorks Files to ame101f17@gmail.com Please name your folder **LastName,FirstName-HW3.zip** by 4:00PM. Remember there is **NO RESUBMISSION!**
- 2) Hard Copy: Submit a printout to OHE 430N by 4:00PM (follow the template on the Blackboard)

Problem 1

Create the bell valve assembly with provided parts as shown in Figure 1a.

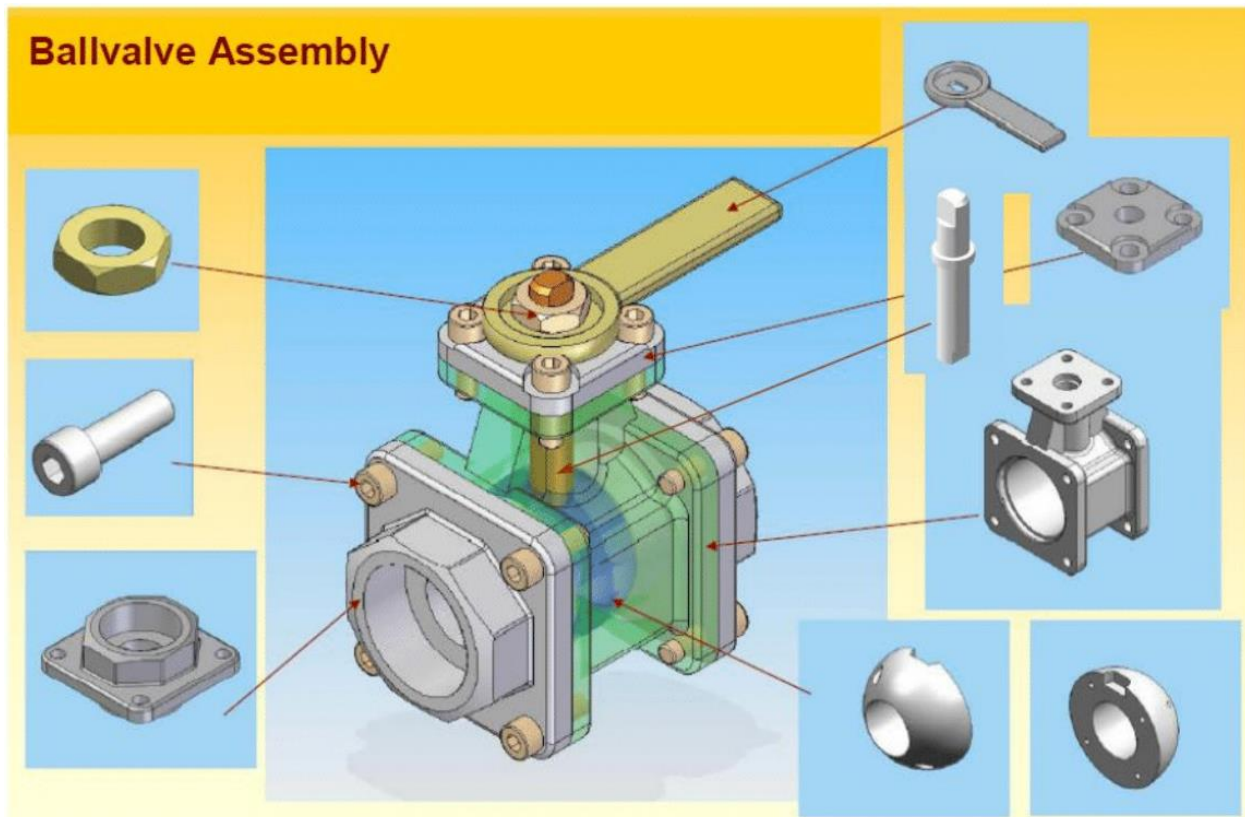


Figure 1a. Bell Valve

- Subassembly strategy is recommended. As shown in Figure 1b, you can create three subassemblies such as SideFlange, TopFlange, and BallShaft, then assemble them with the body.
- Refer to Figure 1c for exploded view
- All entities in the assembly must be fully constrained.



Figure 1b. Subassemblies

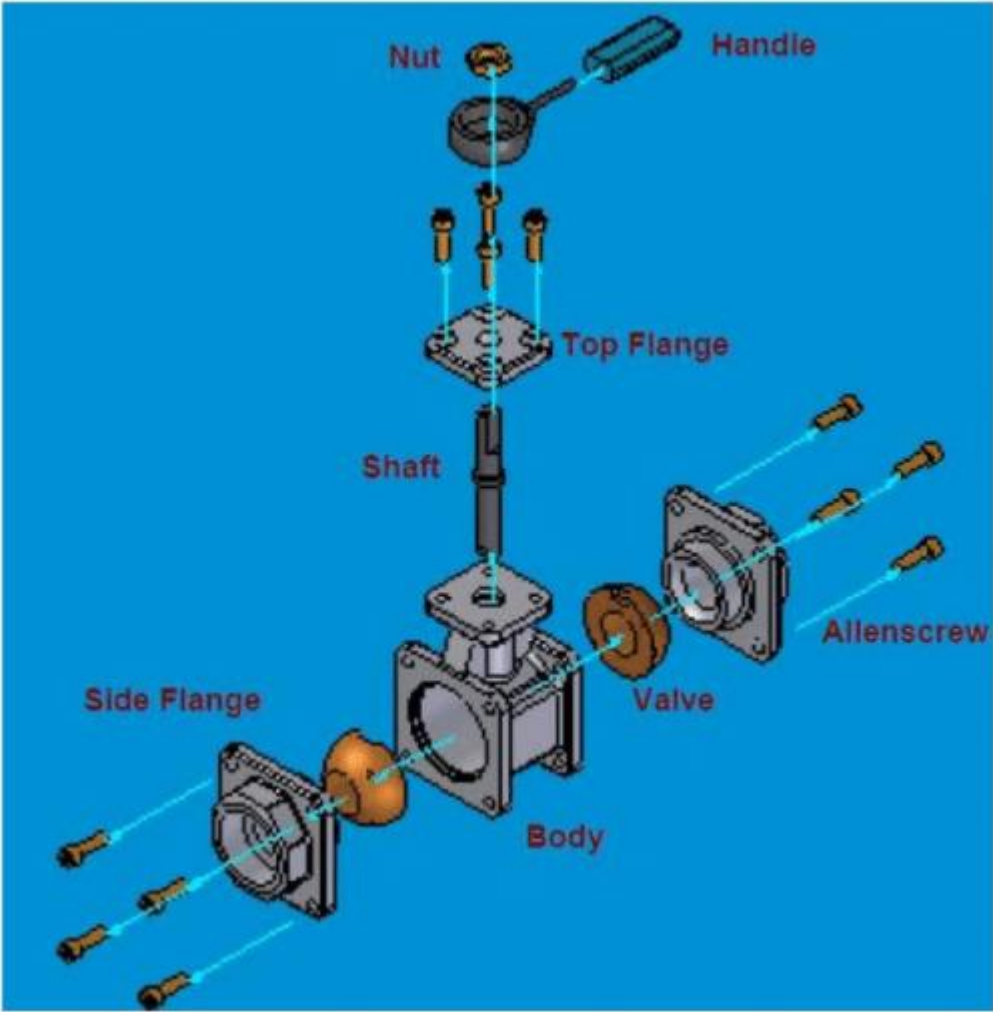


Figure 1c. Exploded view