

# University of Southern California

## AME101 - Fall 2017

### Graphics Lab Homework Assignment #2

October 12, 2017

Due Date: **Friday, October 20, 2017 by 4:00PM**

- 1) Soft Copy: Submit a compressed folder (zipped) of your SolidWorks Files to [ame101f17@gmail.com](mailto:ame101f17@gmail.com) Please name your folder **LastName,FirstName-HW2.zip** by 4:00PM. Remember there is **NO RESUBMISSION!**
- 2) Hard Copy: Submit a printout to OHE 430N by 4:00PM (follow the template on the Blackboard)

### Problem 1

Recreate the 3D model shown in Figure 1a with given dimensions.

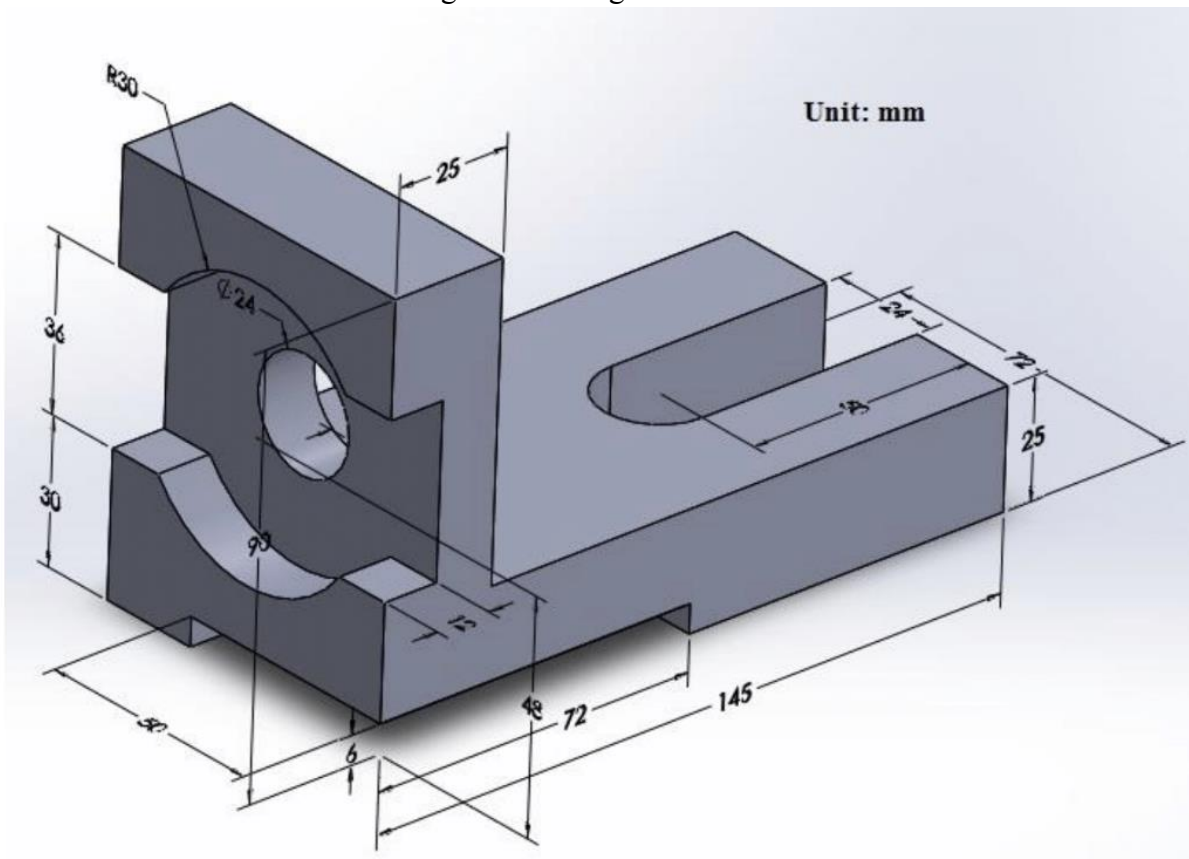


Figure 1a. 3D model

- All dimensions are in millimeters, and use Figure 1a for auxiliary dimensions info
- All entities in the sketch must be completely defined and constrained (fully-defined)
- No fix (anchor) relations to fully define the sketch
- No feature dimensions are required for your hardcopy, but recommended to show them
- Name the file *problem1.sldprt* for soft copy

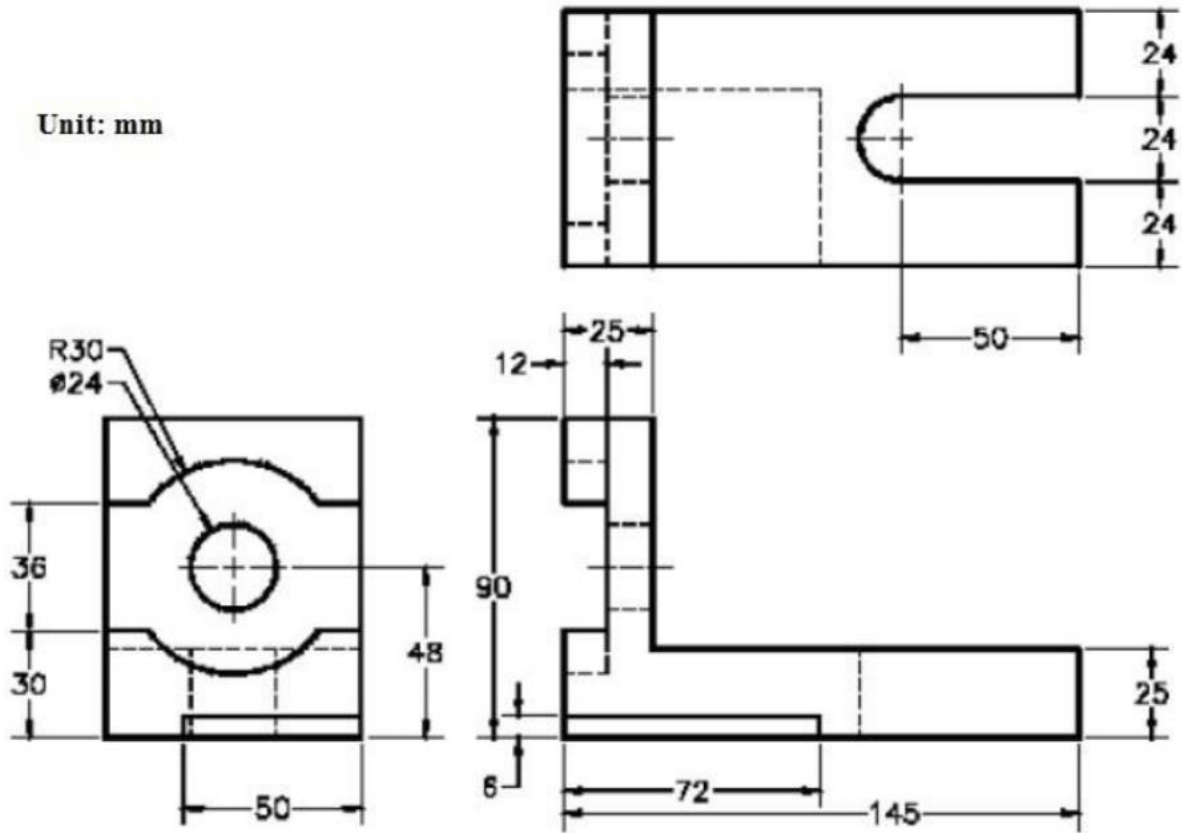


Figure 1b. 2D drawings

## Problem 2

Recreate the 3D model as shown below in Figure 2a with given dimensions.

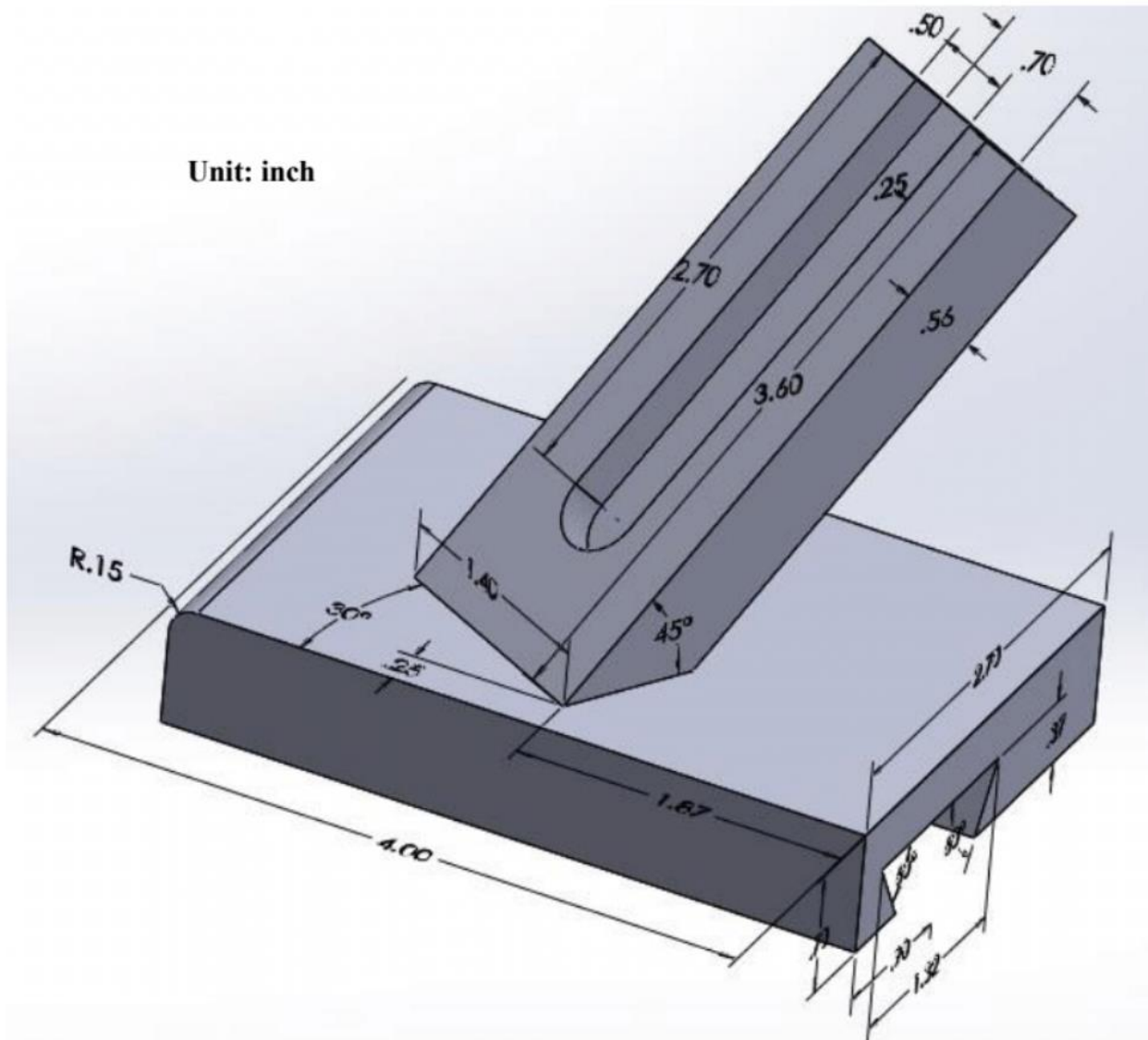


Figure 2a. 3D model

- All dimensions are in inch, and use Figure 2a for auxiliary dimensions info
- Create reference plane to draw the 30° inclined sketch (hint)
- All entities in the sketch must be completely defined and constrained (fully-defined)
- No fix (anchor) relations to fully define the sketch
- Can use more or less dimensions than that shown in the sketches above
- No feature dimensions are required for your hard copy, but recommended to show them
- Name the file *problem2.sldprt* for soft copy

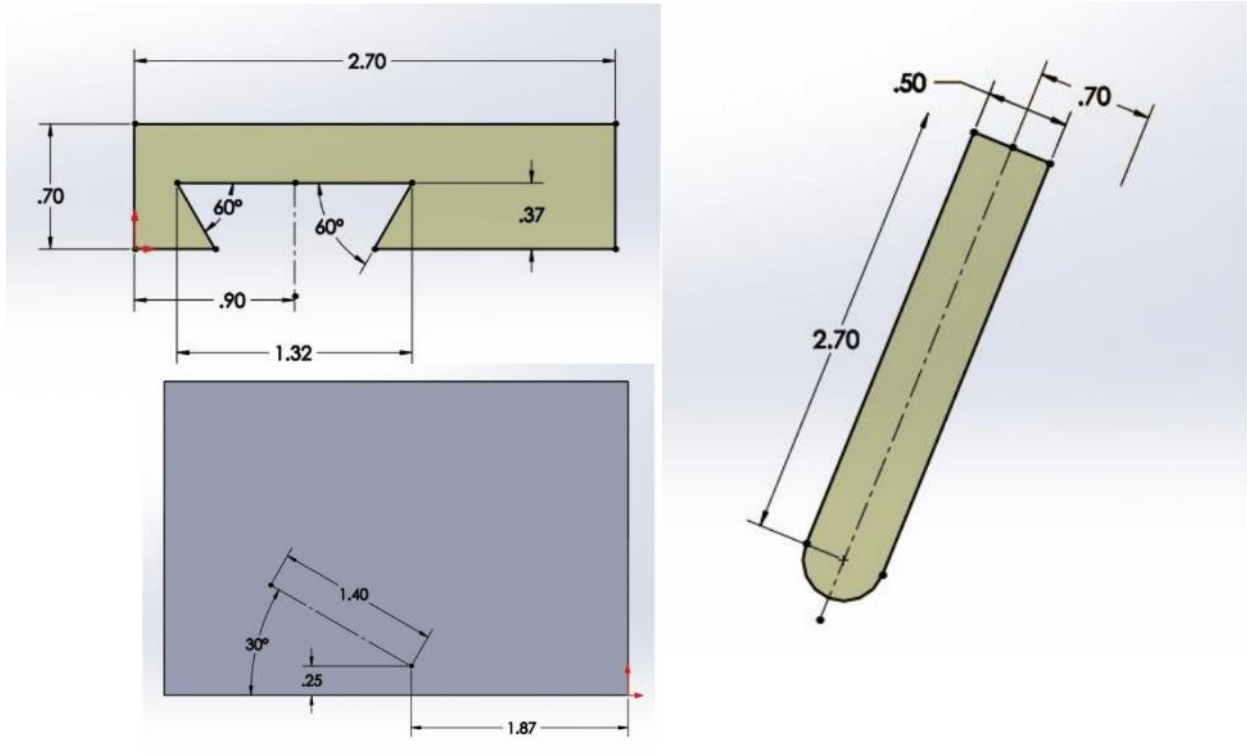


Figure 2b. 2D drawings