

Graphics Lab Homework 2

AME 101 - Fall 2016

Oct. 11, 2016

Due Date: Friday, October 21, 2016 at 4:30pm. Please use SolidWorks to recreate the 3D models shown in Problems 1 and 2. Submit as follows:

1. Hard Copy: submit a printout (following the template on the course website, see http://ronney.usc.edu/AME101/AME101_Graphics_Lab_HW_template.doc) to OHE 430N drop box by 4:30pm on the due date.
2. Soft Copy: email a compressed (zipped) folder containing all necessary files to AME101F16 at gmail dot com by 4:30 pm on the due date. Use the filename LastnameFirstname-HW2.zip, where of course Lastname = your last name and Firstname = your first name.

Problem 1

Recreate the 3D model shown in Figure 1(A) with given dimensions.

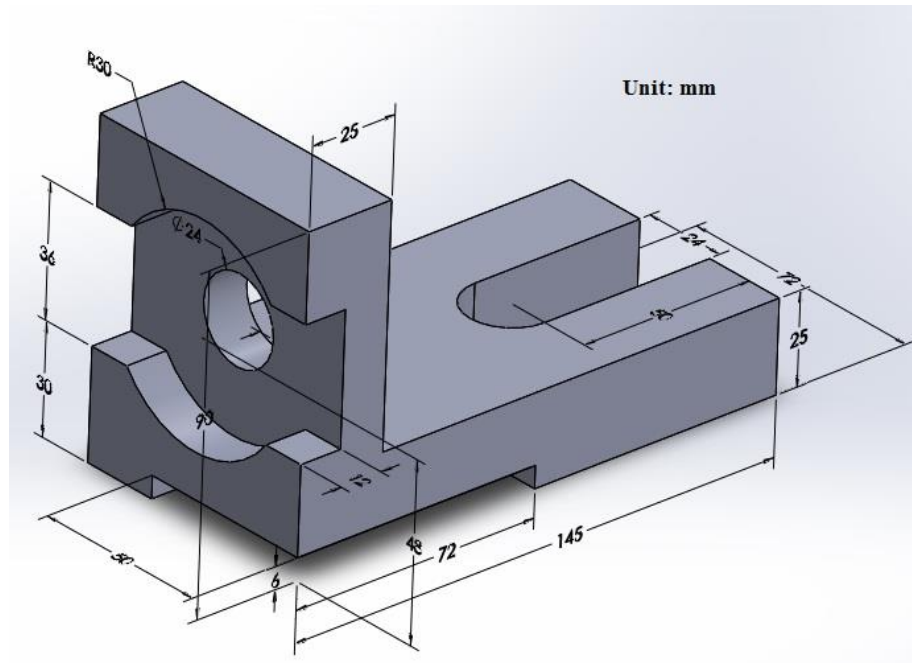


Figure 1(A)

- All dimensions are in **mm**, and use Figure 1(B) for auxiliary dimensions info.
- All sketches must be fully defined, and no fix (anchor) relations;
- More or less dimensions than that shown above can be used, but keep consistency;
- No feature dimensions are required for your hard copy, but recommend to show them;
- Name the file *problem1.sldprt* for soft copy.

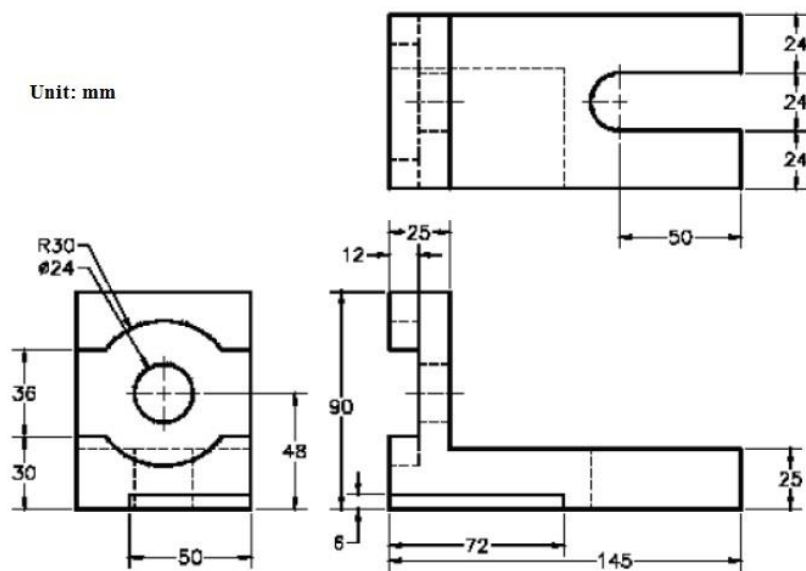


Figure 1(B)

Problem 2

Recreate the 3D model as shown below in Figure 2(A) with given dimensions.

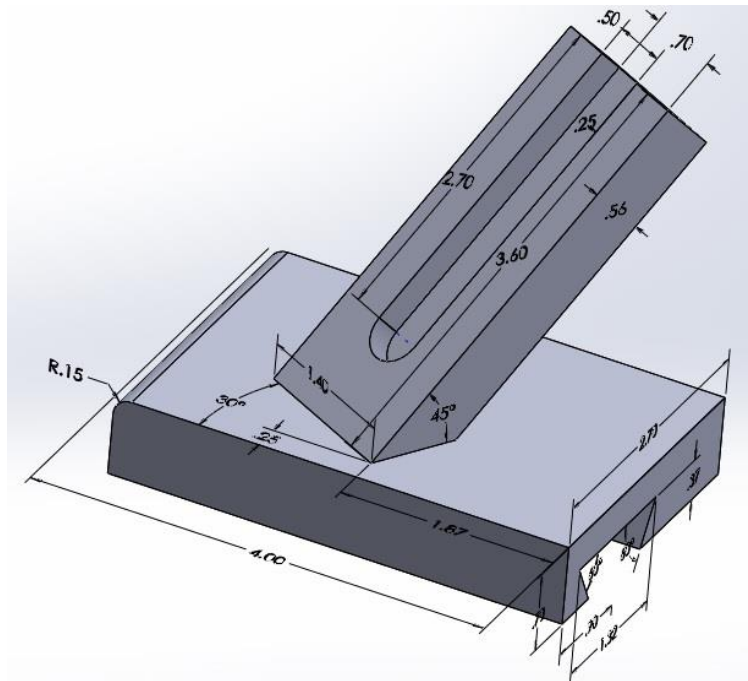


Figure 2(A)

- All dimensions are in **inch**, and use Figure 2(B) for auxiliary dimensions info;
- Create reference plane to draw the 30 degree inclined sketch (hint);
- All entities in sketches must be fully defined and constrained. No anchor (fixed) relations;
- Can use more or less dimensions than that shown in the sketches above, but with consistency;
- No feature dimensions are required for your hard copy, but recommend to show them;
- Name the file *problem2.sldprt* for soft copy.

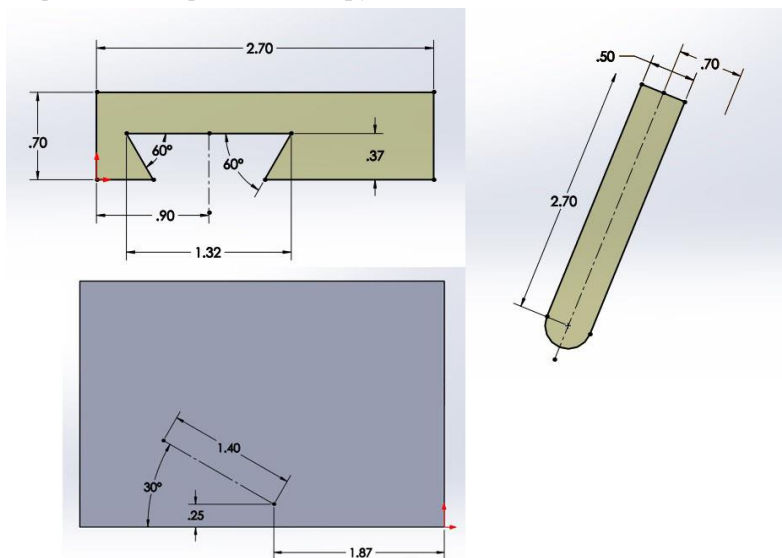


Figure 2(B)